

## Africa sun lounger

by Eugeni Quitllet

The Africa furniture collection is designed by Eugeni Quitllet, for Vondom. The designer speaks of it saying “The most simple things are the most original... The most original thing is to be simple...”



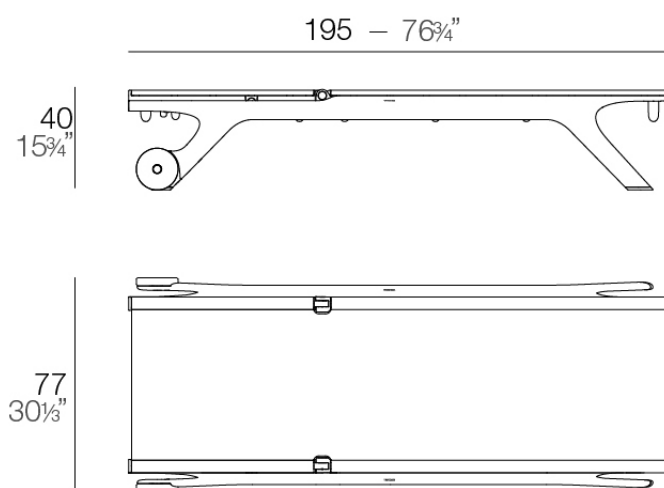
## Info

---

### Description

Made from polypropylene and reinforced with fiberglass manufactured by gas injection. Stackable . Available in various colors. Suitable for indoor and outdoor use.

Weight: 24.36 Kg



AFRICA Tumbona  
AFRICA Sun Chaise

## Finishes

---

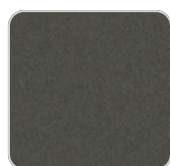
### finishes

---

BASIC PP  
Ref. 65048



white



grey



ecru

Available in various colors

## Ambients

---

