

## Brooklyn counter stool ø45x66

by Eugeni Quitllet

Brooklyn furniture collection, designed by Eugeni Quitllet for Vondom. Is a **modern and timeless collection** that creates a bridge between the future and the past. Based on straight lines and curves emulating the New York City bridge. Urban design suitable in the best world's spaces. Brooklyn is today, yesterday and tomorrow.



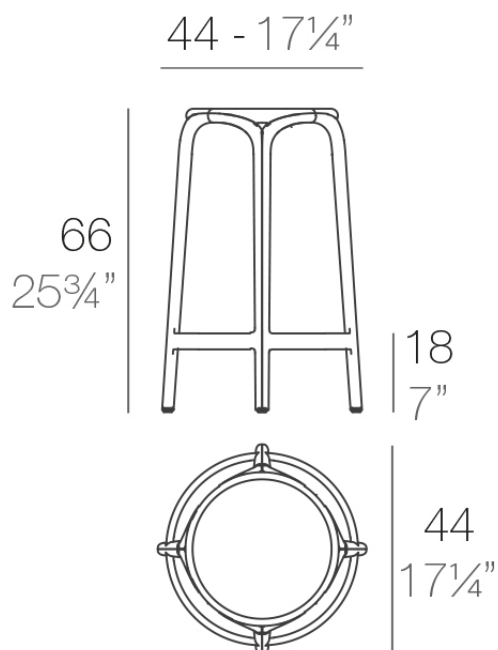
## Info

---

### Description

Made of injected polypropylene with fiber glass. Stackable. Available in several colors. Item suitable for indoor and outdoor use.

Weight: 4.06 Kg



BROOKLYN Taburete Alto 66  
BROOKLYN Bar Stool 25<sup>3</sup>/<sub>4</sub>"

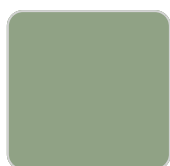
## Finishes

---

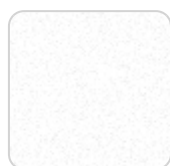
### finishes

---

BASIC PP  
Ref. 65028



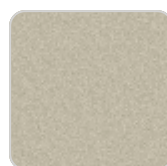
pickle



white



black



ecru



tortora

Available in various colors

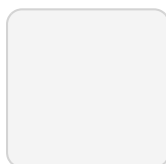
LACQUERED COLOR INJECTION PP  
Ref. 65028F



anthracite 3106



black 3102



white 3101

-

## Ambients

---

