

Faz double bar

by Ramón Esteve

Faz is a modular collection of outdoor furniture and planters designed by Ramón Esteve for Vondom. He is the architect of harmony, serenity, timelessness and universality, and he has created mineral and emphatic shapes that make Faz a design that contextualizes with homes and installations. An ambience, encircling as a result of the blissful combination of the material and lighting, so that the sole sensation would be its fusion.

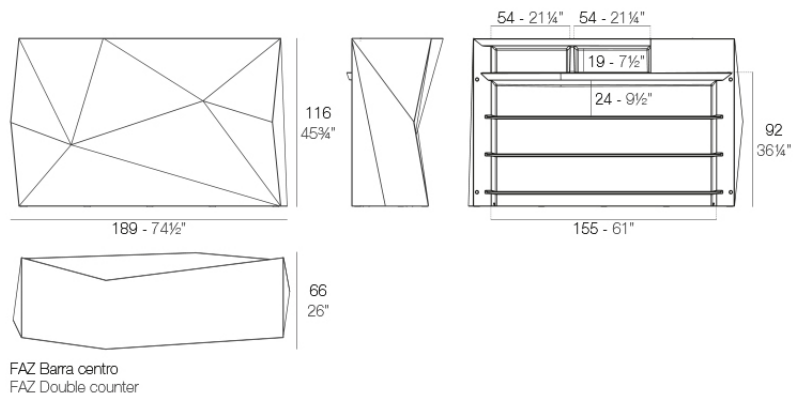


Info

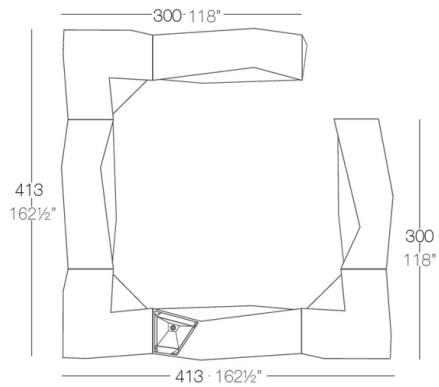
Description

Made of polyethylene resin by rotational moulding. 100% Recyclable. Item suitable for indoor and outdoor use. Available in different finishes.

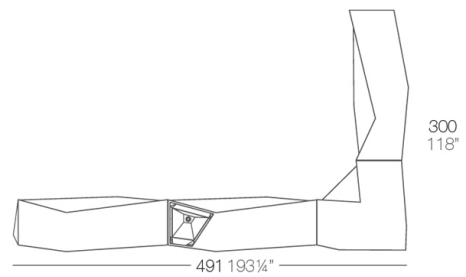
Weight: 54.09 Kg



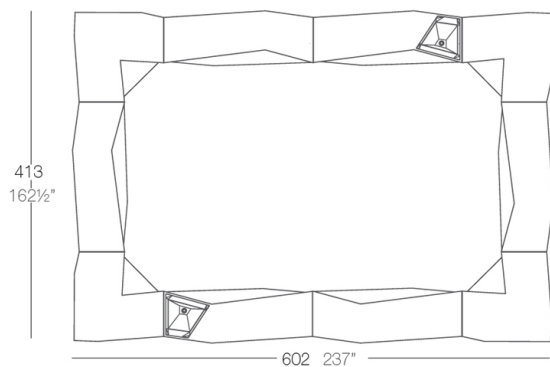
Combinations



2 X 54113
1 X 54114
3 X 54112
1 X 54111



1 X 54113
1 X 54114
1 X 54112
1 X 54111



4 X 54113
2 X 54114
4 X 54112

Accessories

- **BLUETOOTH**

Link your smartphone or tablet to the sound system via Bluetooth.

- **TOP**

HPL Solid Core Top

- **SHELVES**

- **WHEELS**

Includes castors for easy move

Finishes

finishes

BASIC

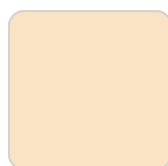
Ref. 54113



notte blue



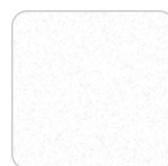
orange



crema



purjai red



white



black



bronze



steel



anthracite



red



khaki



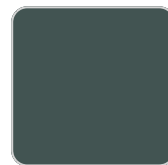
taupe



ecru



beige



green



ice

Matt Polyethylene

LACQUERED

Ref. 54113F

VONDOM



notte blue



orange



crema



modo green



purjai red



white



black



bronze



steel



anthracite



champany



red



khaki



taupe



ecru



beige

Lacquered Polyethylene

lighting

WHITE LED
Ref. 54113W



ice

White internally lit unit with LED technology. Available only in matte ice white finish.

RGBW LED Ref. 54113L



ice

Unit with internal lighting with RGBW LED technology and remote control unit for switching colors. Available only in matte ice white finish. Remote control included.

RGBW LED DMX Ref. 54113D



ice

Unit with internal lighting with RGBW LED technology and remote control unit for switching colors. Also controlled by DMX-1024 (wireless), enabling communication between one or more products simultaneously via the DMX transmitter (not included). There are two options to choose from: Professional XLR DMX and Home WIFI DMX. (Remote control included). Optional battery

RGBW LED BATTERY Ref. 54113Y



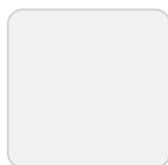
ice

Unit with internal lighting with battery-powered RGBW LED technology. Includes charger and remote control for switching colors and charger. Available only in matte ice white finish.

VONDOM

RGBW LED DMX BATTERY

Ref. 54113DY



ice

Unit with internal lighting with RGBW LED technology and remote control unit for switching colors. Also controlled by DMX-1024 (wireless), enabling communication between one or more products simultaneously via the DMX transmitter (not included). There are two options to choose from: Professional XLR DMX and Home WIFI DMX. (Remote control included).

Ambients

