

## Ibiza lounge chair

by Eugeni Quitllet

“Every idea comes from the light and the sea as life does. . .

From the ephemeral beauty of a season to an everlasting piece to keep this moment of a dream in a permanent frame.

Observing the plastic objects brought by the sea, like artificial shells, it inspired me a unique **designer furniture collection** made of **recycled plastics** from the island.

**Ibiza** is an emotional state of mind. Together with **Vondom**, this dream has become true: **Ibiza** eco-collection is born.”

by Eugeni Quitllet



## Info

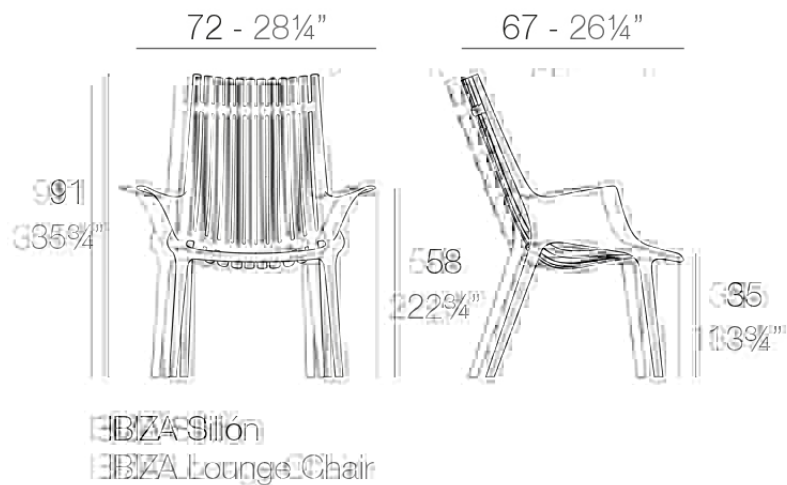
---

### Description

Made from polypropylene and reinforced with fiberglass manufactured by gas injection. Stackable . Available in various colors. Suitable for indoor and outdoor use.

In addition, the “Vondom Revolution” finish means it is made from 100% recycled plastic from the Mediterranean sea.

Weight: 8.51 Kg



## Accessories

---

- Fabric

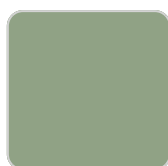
## Finishes

---

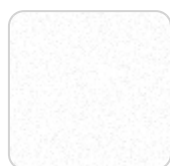
### finishes

---

BASIC PP  
Ref. 65039



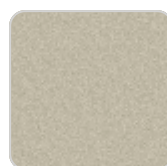
pickle



white



black



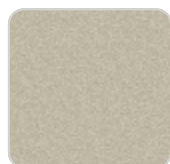
ecru

Available in various colors

VONDOM REVOLUTION  
Ref. 65039VR



milos



cala



manta

Recycled polypropylene from fishing nets, recycled plastic from the Balearic Islands and bottles collected from our seas.

## Ambients

---

