

## Manta cantilever

by Eugeni Quitllet

New outdoor and indoor chair collection. The versatile Manta chair adapts perfectly to any space, whether in a home, office, or public setting. This is all possible thanks to an interchangeable design made up of seats and bases to create countless combinations.

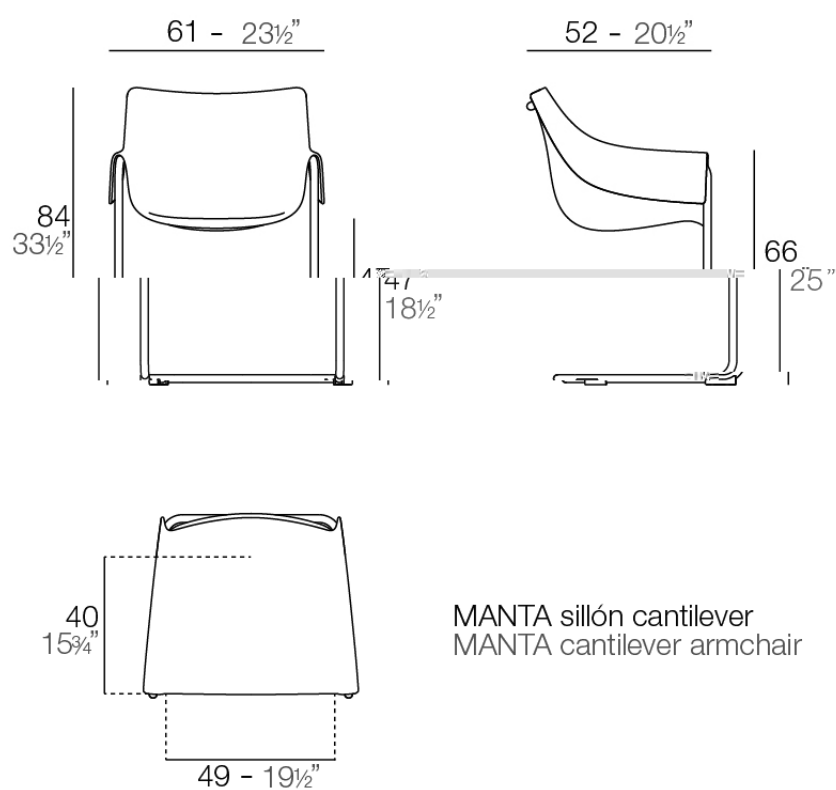


## Info

---

### Description

Weight: 5.6 Kg



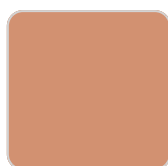
## Finishes

---

### finishes

---

BASIC PP  
Ref. 65047



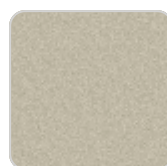
melon



white



black



ecru



tortora

Available in various colors

## Ambients

---

