

Quartz dining table 59x59

by Ramón Esteve

The Quartz chairs and table collection, designed by Ramón Esteve for Vondom, is characterized by its **orthogonal geometry and triangular shaped profiles**. Due to the line of one of its vertexes this piece appears extremely light.

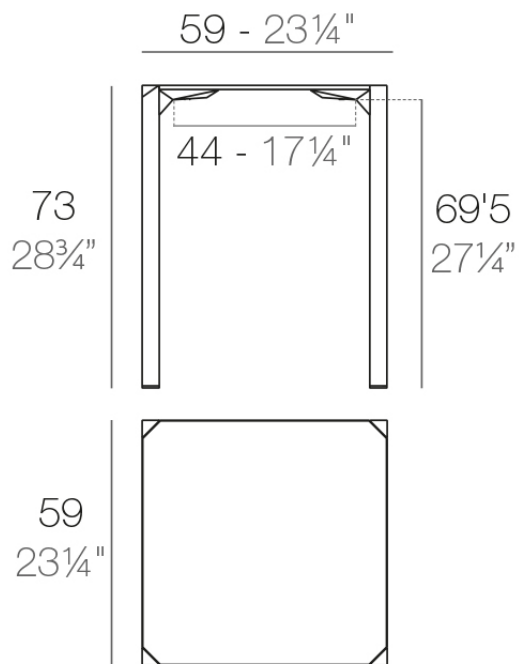


Info

Description

Made from polypropylene and reinforced with fiberglass manufactured by gas injection. Available in various colors. Suitable for indoor and outdoor use.

Weight: 0.78 Kg



QUARTZ Mesa 59 x 59
QUARTZ Table 23 1/4" x 23 1/4"

Finishes

finishes

BASIC PP
Ref. 54203



white



black



ecru

Available in various colors

tabletops

Solid Core
Ref. VVAR02391

HPL
Ref. VVAR02391

HPL black edge

tabletops

Solid Core
Ref. VVAR02391

VONDOM



traffic gray



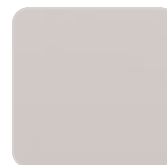
crema



yule brown



castoro fiber



piombo gray



pulpis gray



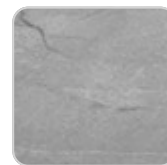
cacao



kandia black



modo green



yule gray



gioia bianco



purjai red



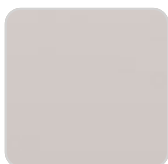
british gray



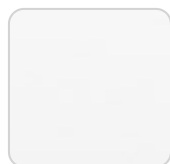
notte blue

HPL

Ref. VVAR02391



ecru(black edge)



white(black edge)



black(black edge)

HPL black edge

