

Quartz dining table 69x69

by Ramón Esteve

The Quartz chairs and table collection, designed by Ramón Esteve for Vondom, is characterized by its **orthogonal geometry and triangular shaped profiles**. Due to the line of one of its vertexes this piece appears extremely light.

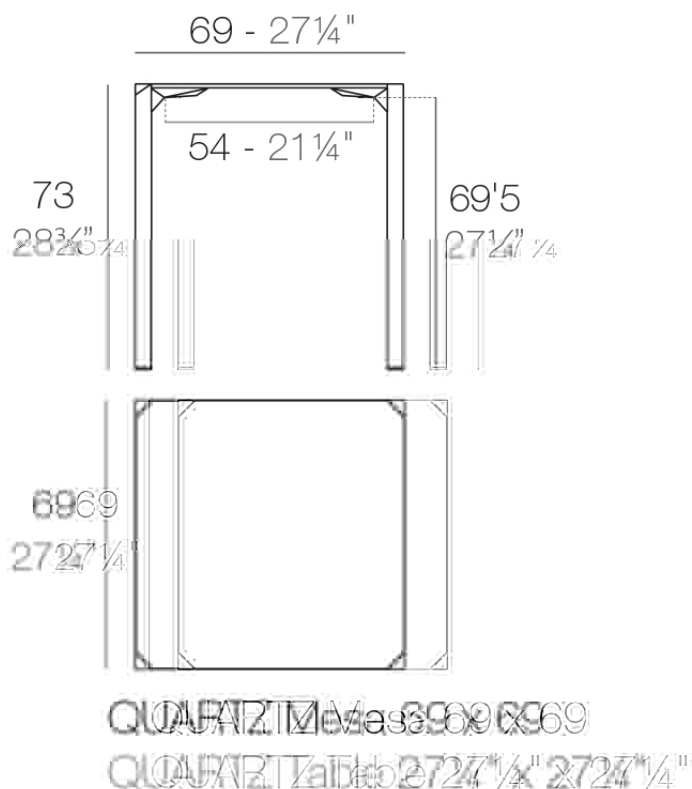


Info

Description

Made from polypropylene and reinforced with fiberglass manufactured by gas injection. Available in various colors. Suitable for indoor and outdoor use.

Weight: 8.51 Kg



Finishes

finishes

BASIC PP
Ref. 54204



white



black



ecru

Available in various colors

tabletops

Solid Core
Ref. VVAR02392

HPL
Ref. VVAR02392

HPL black edge

Solid Core wood
Ref. VVAR02392

tabletops

Solid Core

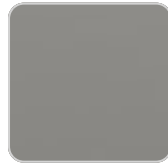
Ref. VVAR02392



gioia bianco



purjai red



british gray



notte blue



traffic gray



crema



castoro fiber



yule brown



piombo gray



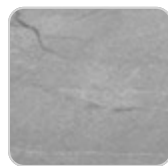
pulpis gray



kandia black



cacao



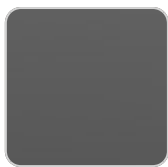
yule gray



modo green

HPL

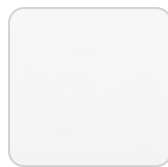
Ref. VVAR02392



black(black edge)



ecru(black edge)



white(black edge)

HPL black edge

Solid Core wood

Ref. VVAR02392

VONDOM



oak1



oak2

