

Quartz dining table ø59

by Ramón Esteve

The Quartz chairs and table collection, designed by Ramón Esteve for Vondom, is characterized by its **orthogonal geometry and triangular shaped profiles**. Due to the line of one of its vertexes this piece appears extremely light.

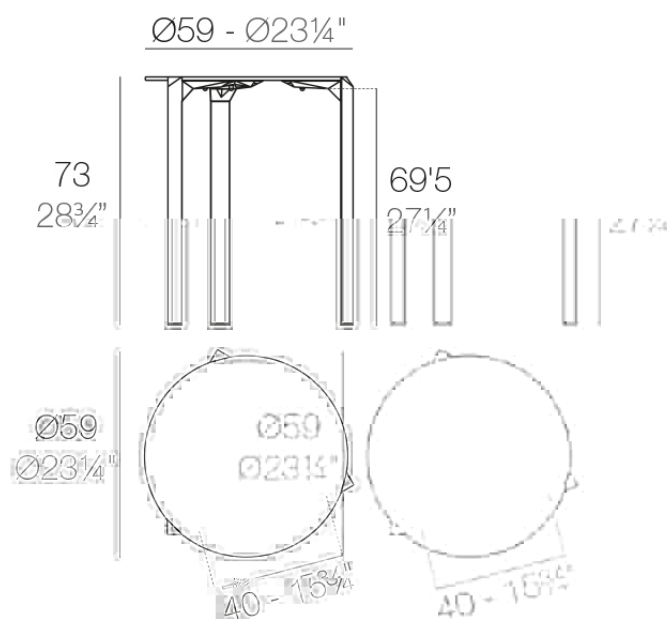


Info

Description

Made from polypropylene and reinforced with fiberglass manufactured by gas injection. Available in various colors. Suitable for indoor and outdoor use.

Weight: 5.1 Kg



QUARTZ Mesa $\text{Ø}59$ Mesa $\text{Ø}59$
QUARTZ Table $\text{Ø}23\frac{1}{4}$ " Table $\text{Ø}23\frac{1}{4}$ "

Finishes

finishes

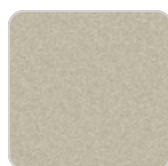
BASIC PP
Ref. 54198



white



black



ecru

Available in various colors

tabletops

Solid Core
Ref. VVAR02348

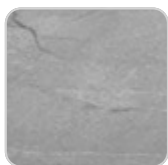
HPL
Ref. VVAR02348

HPL black edge

tabletops

Solid Core
Ref. VVAR02348

VONDOM



yule gray



modo green



gioia bianco



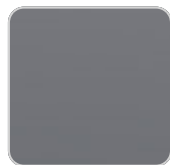
purjai red



british gray



notte blue



traffic gray



crema



castoro fiber



yule brown



pulpis gray



piombo gray



kandia black



cacao

HPL

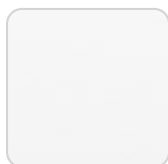
Ref. VVAR02348



black(black edge)



ecru(black edge)



white(black edge)

HPL black edge

