

## Quartz dining table ø69

by Ramón Esteve

The Quartz chairs and table collection, designed by Ramón Esteve for Vondom, is characterized by its **orthogonal geometry and triangular shaped profiles**. Due to the line of one of its vertexes this piece appears extremely light.



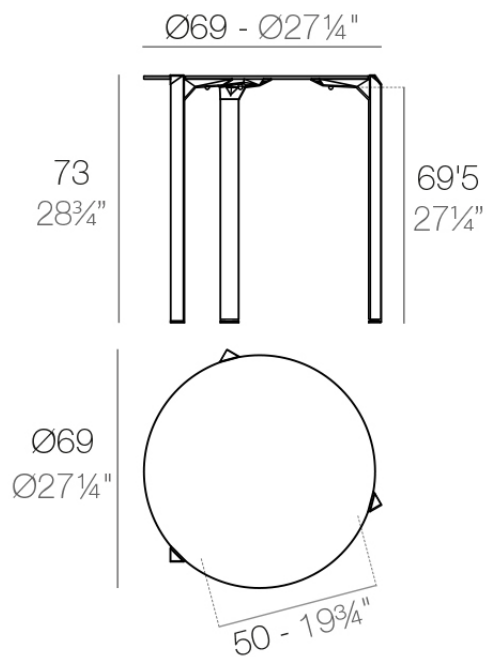
## Info

---

### Description

Made from polypropylene and reinforced with fiberglass manufactured by gas injection. Available in various colors. Suitable for indoor and outdoor use.

Weight: 6.53 Kg



QUARTZ Mesa Ø69  
QUARTZ Table Ø27¼"

## Finishes

---

### finishes

---

BASIC PP  
Ref. 54199



white



black



ecru

Available in various colors

### tabletops

---

Solid Core  
Ref. VVAR02349

HPL  
Ref. VVAR02349

HPL black edge

### tabletops

---

Solid Core  
Ref. VVAR02349

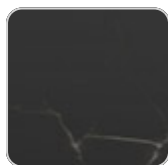
# VONDOM



pulpis gray



piombo gray



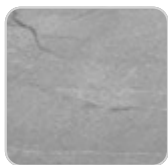
kandia black



cacao



modo green



yule gray



purjai red



gioia bianco



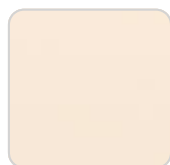
notte blue



british gray



traffic gray



crema



yule brown



castoro fiber

## HPL

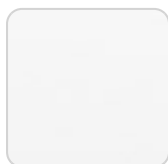
Ref. VVAR02349



black(black edge)



ecru(black edge)



white(black edge)

## HPL black edge

