

Quartz dining table ø79

by Ramón Esteve

The Quartz chairs and table collection, designed by Ramón Esteve for Vondom, is characterized by its **orthogonal geometry and triangular shaped profiles**. Due to the line of one of its vertexes this piece appears extremely light.

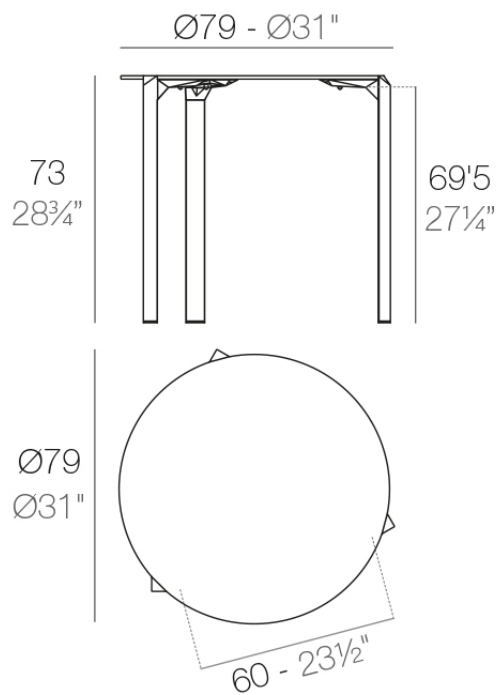


Info

Description

Made from polypropylene and reinforced with fiberglass manufactured by gas injection. Available in various colors. Suitable for indoor and outdoor use.

Weight: 8.31 Kg



QUARTZ Mesa $\text{Ø}79$
QUARTZ Table $\text{Ø}31''$

Finishes

finishes

BASIC PP
Ref. 54200



white



black



ecru

Available in various colors

tabletops

Solid Core
Ref. VVAR02350

HPL
Ref. VVAR02350

HPL black edge

tabletops

Solid Core
Ref. VVAR02350

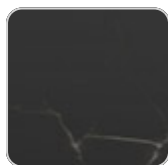
VONDOM



pulpis gray



piombo gray



kandia black



cacao



yule gray



modo green



gioia bianco



purjai red



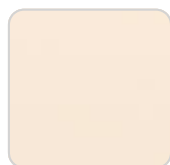
british gray



notte blue



traffic gray



crema



castoro fiber



yule brown

HPL

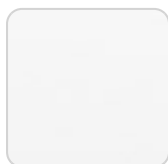
Ref. VVAR02350



black(black edge)



ecru(black edge)



white(black edge)

HPL black edge

