

## Quartz dining table ø79

by Ramón Esteve

The Quartz chairs and table collection, designed by Ramón Esteve for Vondom, is characterized by its **orthogonal geometry and triangular shaped profiles**. Due to the line of one of its vertexes this piece appears extremely light.

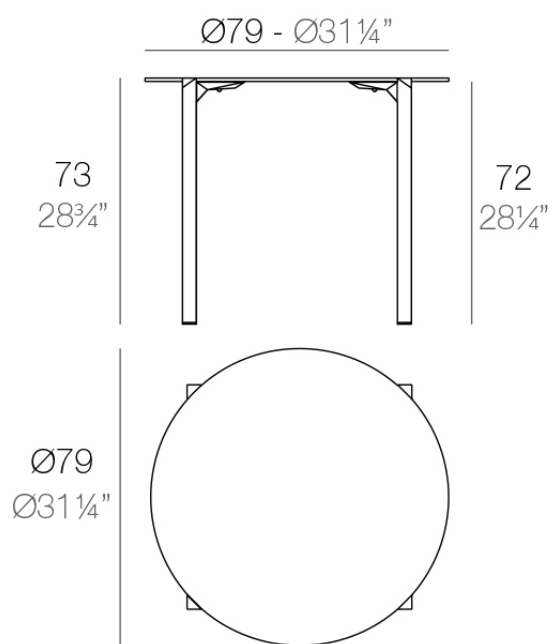


## Info

---

### Description

Weight: 9.7 Kg



QUARTZ Mesa  $\text{Ø}79$   
QUARTZ Table  $\text{Ø}31\frac{1}{4}"$

## Finishes

---

### finishes

---

BASIC PP  
Ref. 54218



white



black



ecru

Available in various colors

