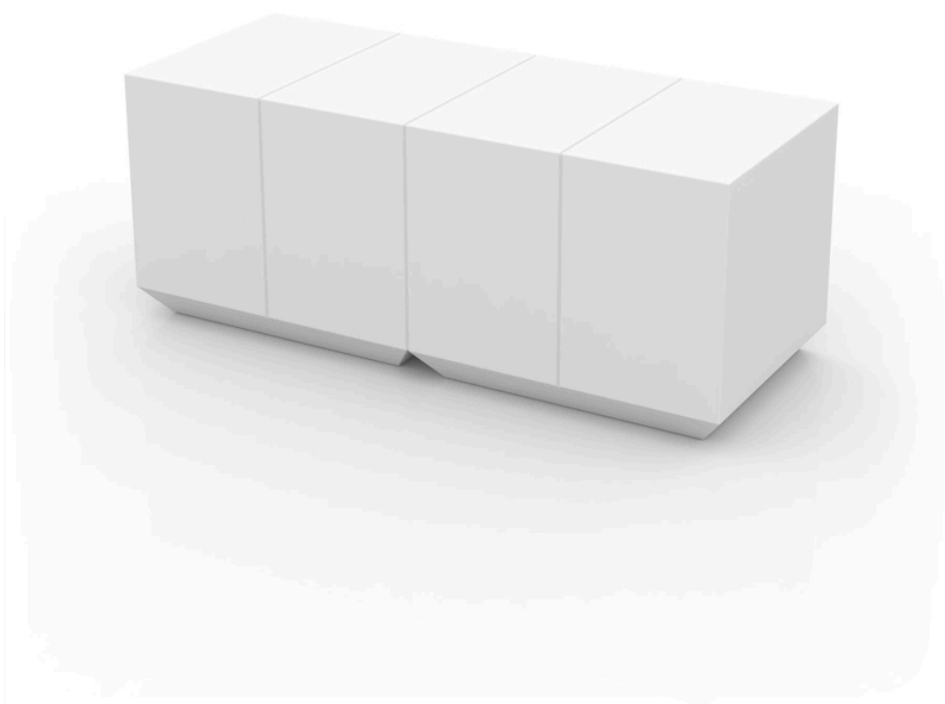


Vela catering bar

by Ramón Esteve

Vela Collection, designed by [Ramon Esteve](#) for [Vondom](#). This extensive outdoor furniture and plantpot collection aims to offer the comfort and the quality of interior furniture without losing it's original qualities.

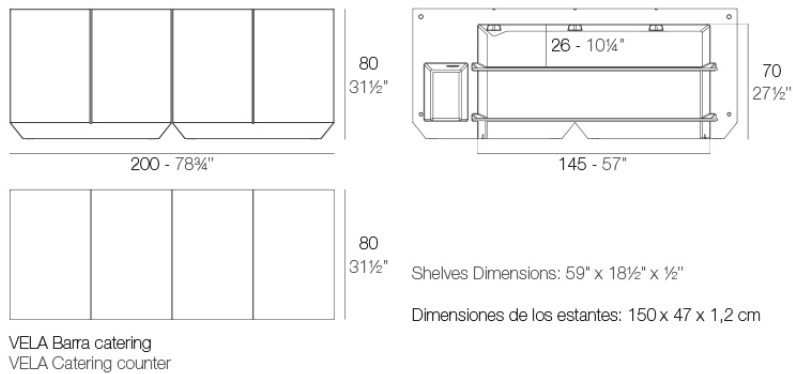


Info

Description

Made of polyethylene resin by rotational moulding. 100% Recyclable. Item suitable for indoor and outdoor use. Available in different finishes.

Weight: 62.37 Kg



Accessories

- **SHELVES**

2-HPL Flat shelf set. Black or white edge.

- **PACK SOUND BLUETOOTH SYSTEM**

Link your smartphone or tablet to the sound system via Bluetooth.

- **WHEELS**

Includes castors for easy move

Finishes

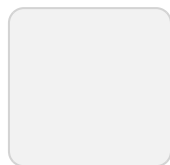
finishes

BASIC

Ref. 54103



white



ice

Matt Polyethylene

LACQUERED

Ref. 54103F



modo green



purjai red



white



black



bronze



steel



anthracite



champany



red



khaki



taupe



ecru



beige

Lacquered Polyethylene

lighting

WHITE LED
Ref. 54103W



ice

White internally lit unit with LED technology. Available only in matte ice white finish.

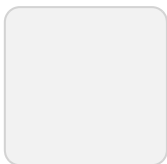
RGBW LED
Ref. 54103L



ice

Unit with internal lighting with RGBW LED technology and remote control unit for switching colors. Available only in matte ice white finish. Remote control included.

RGBW LED DMX
Ref. 54103D



ice

Unit with internal lighting with RGBW LED technology and remote control unit for switching colors. Also controlled by DMX-1024 (wireless), enabling communication between one or more products simultaneously via the DMX

transmitter (not included). There are two options to choose from: Professional XLR DMX and Home WIFI DMX. (Remote control included). Optional battery

RGBW LED BATTERY

Ref. 54103Y

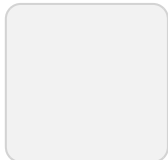


ice

Unit with internal lighting with battery-powered RGBW LED technology. Includes charger and remote control for switching colors and charger. Available only in matte ice white finish.

RGBW LED DMX BATTERY

Ref. 54103DY



ice

Unit with internal lighting with RGBW LED technology and remote control unit for switching colors. Also controlled by DMX-1024 (wireless), enabling communication between one or more products simultaneously via the DMX transmitter (not included). There are two options to choose from: Professional XLR DMX and Home WIFI DMX. (Remote control included).

cubre hpl

HPL

Ref. 54103P

VONDOM

HPL black edge

Ambients

