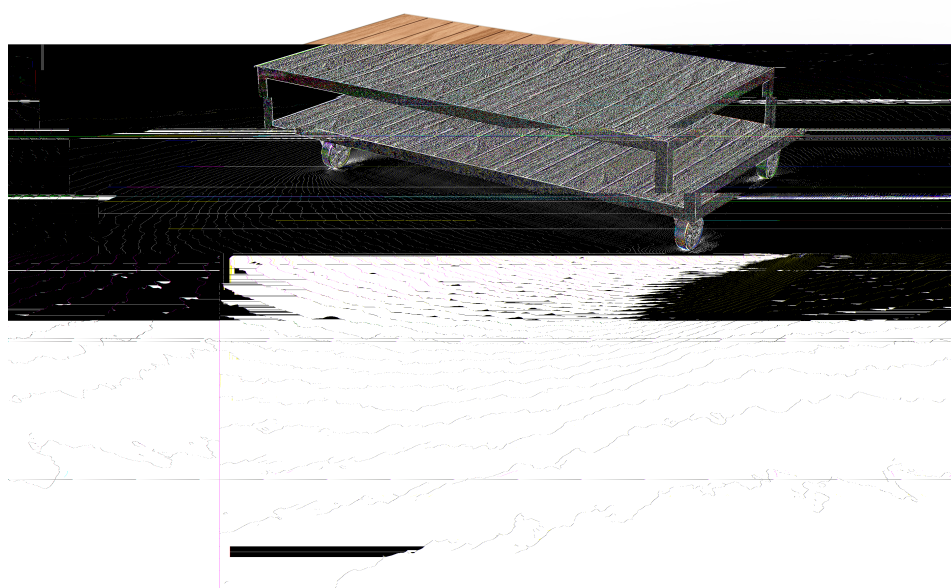


Vineyard extra-large coffee table legs

by Ramón Esteve

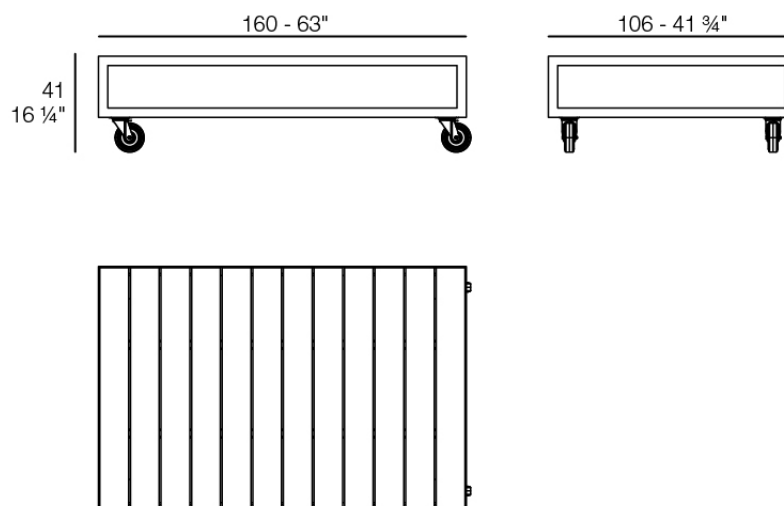
Vineyard Collection, by Ramon Esteve, is an aluminium and wooden outdoor furniture collection with a rustic and warm style.



Info

Description

Weight: 60 Kg

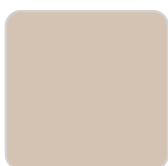


VINEYARD Mesa XL
VINEYARD Table XL

Finishes

finishes

Aluminium
Ref. 54504ZSU



crema



castoro fiber



cacao

panel/top

Teak
Ref. 54504AA



natural teak



weathered teak

Ambients

