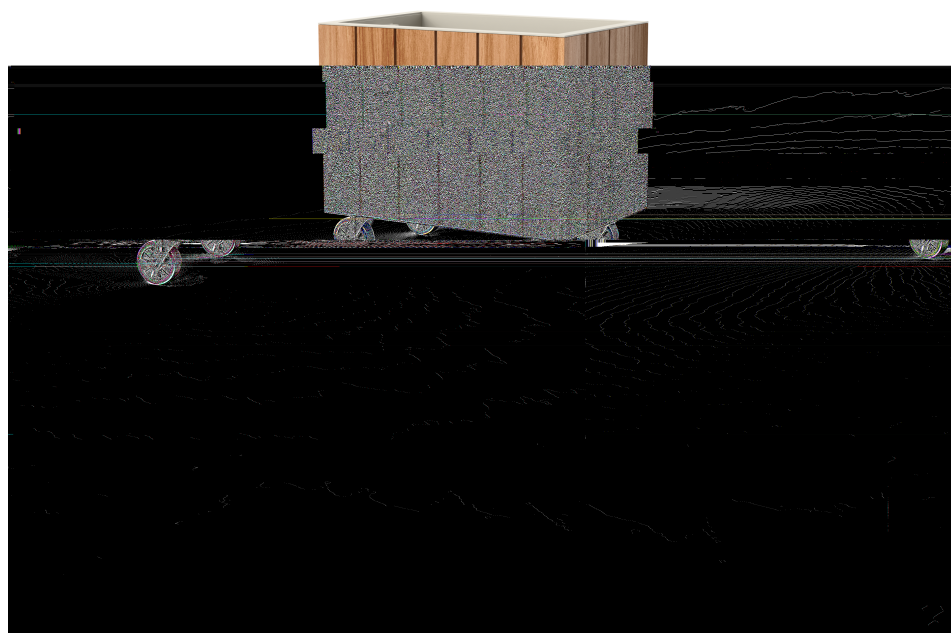


Vineyard planter wheel

by Ramón Esteve

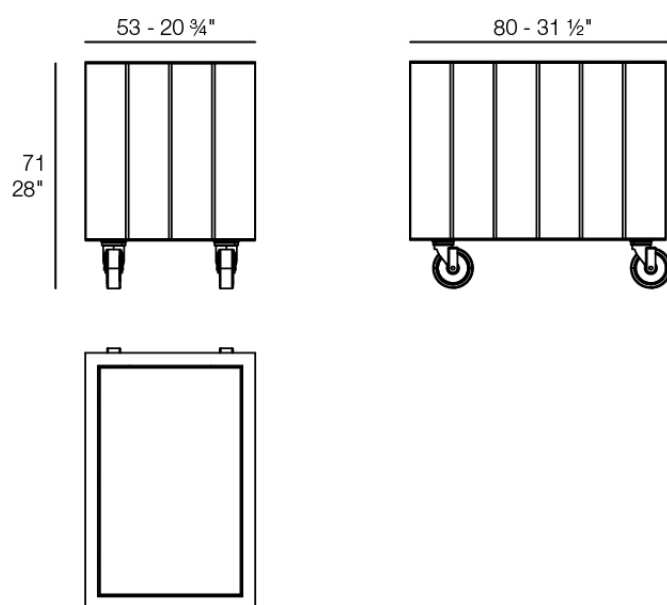
Vineyard Collection, by Ramon Esteve, is an aluminium and wooden outdoor furniture collection with a rustic and warm style.



Info

Description

Weight: 43.7 Kg



VINEYARD Maceta 800 x 500 C = 152 L
VINEYARD Planter 31 1/2" x 20 3/4" C = 40 gal

Finishes

finishes

Aluminium
Ref. 54508SU

panel/top

Teak
Ref. 54508AA



natural teak



weathered teak

